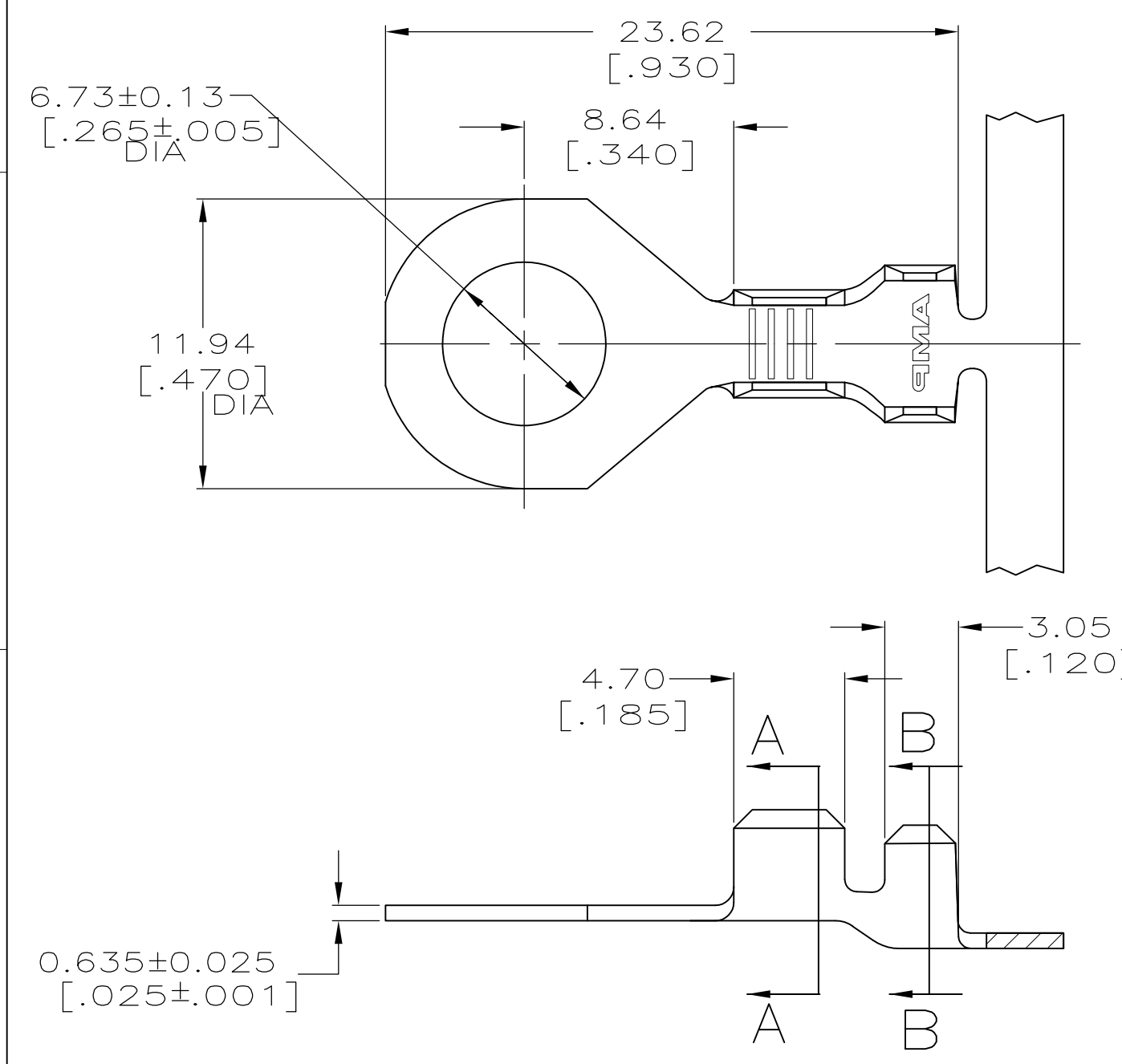
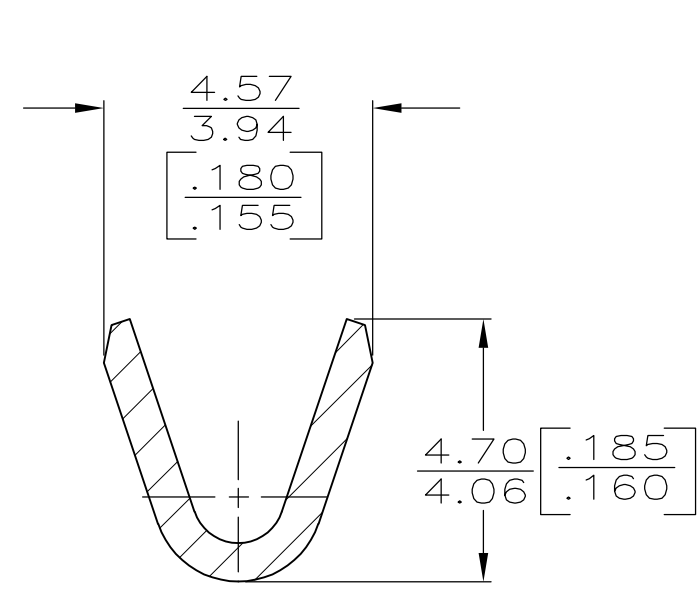


THIS DRAWING IS UNPUBLISHED. RELEASED FOR PUBLICATION
 © COPYRIGHT BY TYCO ELECTRONICS CORPORATION. ALL INTERNATIONAL RIGHTS RESERVED.

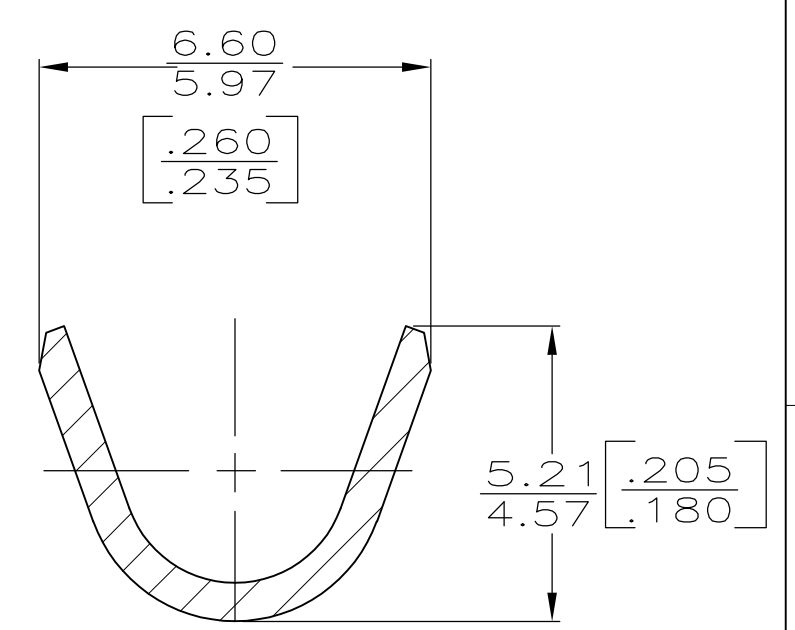
LOC	DIST	REVISIONS			
P	LTR	DESCRIPTION	DATE	DWN	APVD
AF	50	D	REVISED PER ECR-10-006099	19JUL10	HMR PD



- 1 CONTINUOUS STRIP ON REEL.
- 2 INSULATION RANGE: 2.16-3.05 [.085-.120] F CRIMP
3.05-3.56 [.120-.140] O CRIMP.



SECTION A-A
SCALE 8:1



SECTION B-B
SCALE 8:1

	[18-14] AWG	485029-1
INSULATION RANGE	WIRE RANGE	PART NO

THIS DRAWING IS A CONTROLLED DOCUMENT.		DWN 2/17/94 PHILLIP M FORTNEY	Tyco Electronics Corporation Harrisburg, PA 17105-3608	
DIMENSIONS: mm [INCHES]	TOLERANCES UNLESS OTHERWISE SPECIFIED:	CHK 2/17/94 JEFF RUTH	NAME	
	0 PLC ± - 1 PLC ± - 2 PLC ± 0.25 [.010] 3 PLC ± - 4 PLC ± - ANGLES ± -	APVD 2/17/94 GARY YETTER	RING	
MATERIAL	FINISH	PRODUCT SPEC	SIZE	CAGE CODE
082 BRASS	TIN	APPLICATION SPEC	A3	00779
		WEIGHT	DRAWING NO	RESTRICTED TO
		-	C-485029	-
CUSTOMER DRAWING			SCALE 4:1	SHEET 1 OF 1
			REV D	